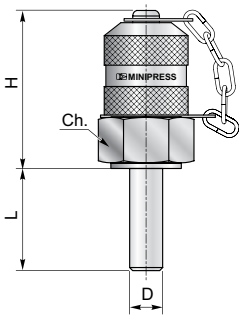




Minipresa a codolo liscio M 16x2

Standpipe test coupling M16X2



D	H	L	Ch	PN [bar]		Codice/Ref.
				Series L	Series S	
6*	37	20	17	315	630	S11206000C
8	37	20	17	315	630	S11208000C
10	37	20	17	315	630	S11210000C
12	37	20	17	315	630	S11212000C
14	37	20	17	—	630	S11214000C
15	37	20	17	315	—	S11215000C
16	37	20	17	—	400	S11216000C

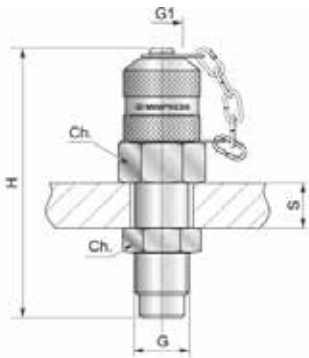
*Disponibili in INOX /
Available in Stainless steel

Opzioni/Options



Minipresa passaparete M 16x2

Bulkhead test coupling M 16x2



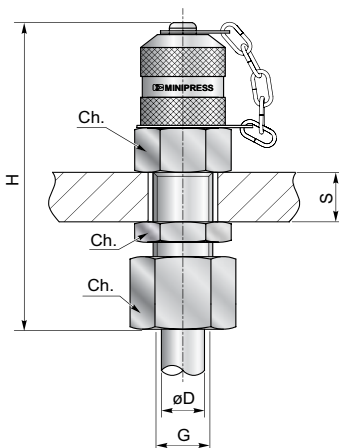
G1	G1	H	Ch	S max	PN [bar]	Codice/Ref.
M 16x2	M 16x2	74.5	19	25	630	S122PP000C
S12.65x1.5	S12.65x1.5	63	19	12	630	S122PP120C

Opzioni/Options



Minipresa passaparete per tubo metallico M 16x2

Bulkhead test coupling for metal pipe fitting M 16x2



Serie / Series	D	G	H	Ch	Ch 1	S max	PN [bar]	Codice/Ref.
S	8*	M 16x1.5	80	19	19	20	630	S11616X15C
	10	M 18x1.5	82	22	22	20	630	S11618X15C
	12	M 20x1.5	84	24	24	20	630	S11620X15C

*Disponibili in INOX /
Available in Stainless steel

Opzioni/Options

